

# TRIPLE ECCENTRIC BUTTERFLY VALVE, AJ CRYOGENIC

Metal seated, 3"-96", PN10-PN250/ASME cl.150-ASME cl.1500

985/010-000, 985/020-000,  
985/030-000, 985/040-000,  
985/050-000

Energy

Chemical Processing

Oil and Gas

Marine

Triple eccentric butterfly valve, metal seated, available in Wafer, Lug, Flanged short pattern, Flanged long pattern and Buttwelded ends. Different body, disc and seal materials are available to meet specific requirements, ensuring optimal performance. The valves are engineered with an advanced triple-offset geometry to ensure precise, low-torque operation even in demanding applications. The metal-to-metal sealing system provides reliable tightness with minimal wear, offering exceptional durability throughout the valve's service life. High-grade materials ensure long-term performance in harsh environments. The valves are designed for true zero-leakage capability and are suitable for bi-directional isolation and control in cryogenic conditions.

## Product description:

AJ Cryogenic triple eccentric butterfly valve for critical applications with temperatures down to -320.8 °F.

## Standards:

- Design Standards: API 609 Cat. B, EN 593, ASME B16.34, EN12516
- Face-to-face dimension according to: EN 558, ISO 5752, API 609, ASME B16.10
- Flange drilling according to: ASME B16.5, ASME B16.47, EN1092-1, ISO 7005
- Buttwelded ends according to: ASME B16.25

## Tests/Approvals:

- Testing: BS6364, ISO 28921-1, API 598, ISO 5208, EN 12266-1, IEC 60534-4, ISO 15848-2
- API 609 MONOGRAM
- Fire tested to: API 607, ISO 10497
- Cryogenic prototype testing: ISO 28921-2
- Compliance with: Pressure Equipment Directive 2014/68/EU, ATEX Directive 2014/34/EU
- SIL assessment: according to IEC 61508 (PFD values up to the SIL 3 range with full and partial stroking test)
- Fugitive Emissions: ISO 15848-1, IOGP S-562 & IOGP S-611, API 641
- For the Chinese market: SELO licence for the quality system, TSG for Primary and Cryogenic configurations

## Features:

- Triple eccentric, friction-free sealing geometry minimizing wear on metal sealing surfaces
- Cavity-free body design preventing media entrapment
- Bi-directional or uni-directional tight shut-off capability
- Streamlined flow path engineered for high Cv and reduced pressure loss
- One-piece, high-strength stem for precise disc alignment
- Extended bonnet
- Solid metal seal ring configurations for demanding temperature and pressure conditions
- Integral anti-blowout stem system
- Low fugitive-emission packing system
- Intrinsically fire-safe design
- Intrinsically antistatic construction ensuring safe operation in potentially explosive atmospheres

## Accessories:

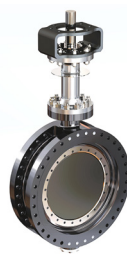
Gearbox, pneumatic, hydraulic and electric actuators, position indicators, solenoid valves, positioners



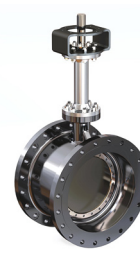
Wafer  
STV 985/011-000



Lug  
STV 985/021-000



Flanged short pattern  
STV 985/031-000



Flanged long pattern  
STV 985/041-000



Buttwelded ends  
STV 985/051-000



SIL

CE

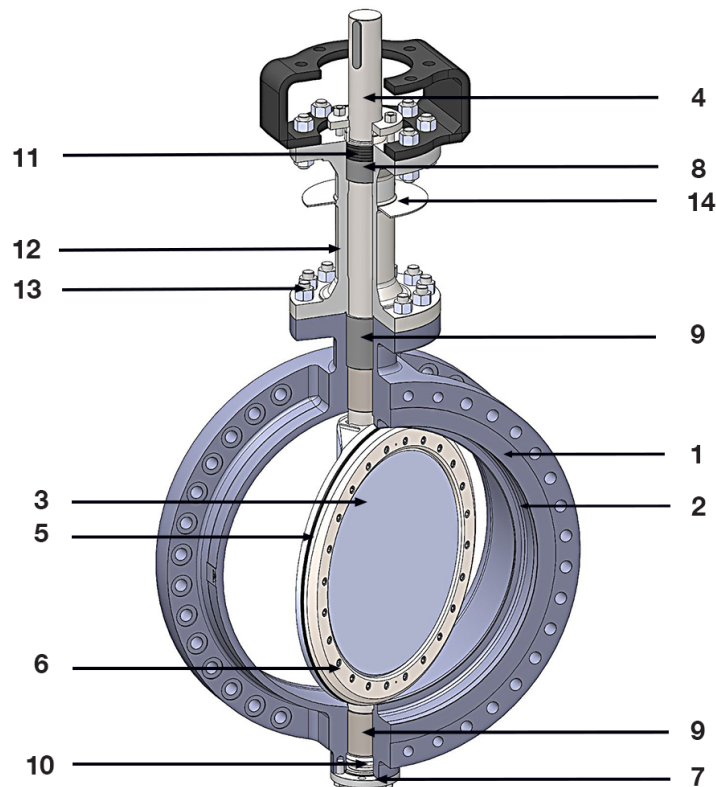


The designs, materials and specifications shown are subject to change without notice. This is due to the continuous development of our product programme.

# TRIPLE ECCENTRIC BUTTERFLY VALVE, AJ CRYOGENIC

Metal seated, 3"-96", PN10-PN250/ASME cl.150-ASME cl.1500

985/010-000, 985/020-000,  
985/030-000, 985/040-000,  
985/050-000



## Components:

1. Body	Stainless steel	8. Packing	Graphite with reinforcement (Stainless steel or Inconel)
2. Seat	Hard facing: ErCoCr-E	9. Radial bearings	Stainless steel
3. Disc	see body materials	10. Axial bearing	see radial bearings
4. Shaft	Austenitic stainless steel	11. Anti blowout gland	Stainless steel
5. Seal ring (solid)	Stainless steel	12. Extended bonnet	Stainless steel
6. Disc flange	Stainless steel	13. Stud bolts and nuts	Stainless steel
7. Bottom cover	Stainless steel	14. Collar drip plate (optional)	Stainless steel