

BVC21 - Compact ball valve DN 15-200

Description

Compact ball valve with full bore. Top flange for actuators according ISO 5211.

Product features

- Connection DN 15-50 Flanges PN 16/25/40
DN 65-200 Flanges PN 16
- Max. working pressure DN 15-50 40 bar / DN 65-200 16 bar
- Temperature range -10°C + 160°C, Versions for lower temperatures on request
- TA-Luft TA-Luft EN ISO 15848-1 compliant for selected materials

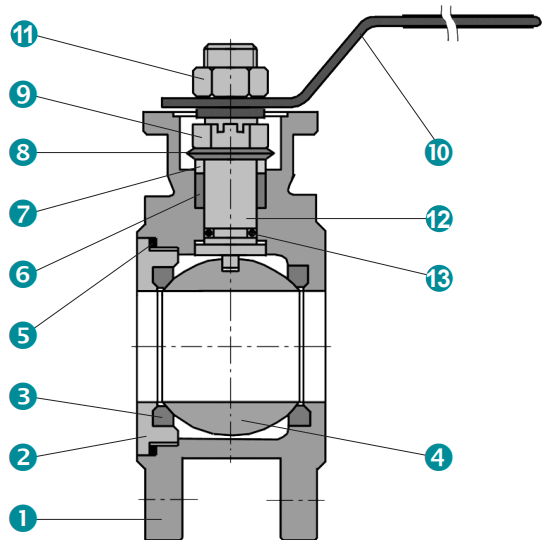


The ball valves BVC21 meet the safety requirements of the pressure Equipments Directive 2014/68/EU (PED) appendix 1 for fluids of the groups 1 and 2.

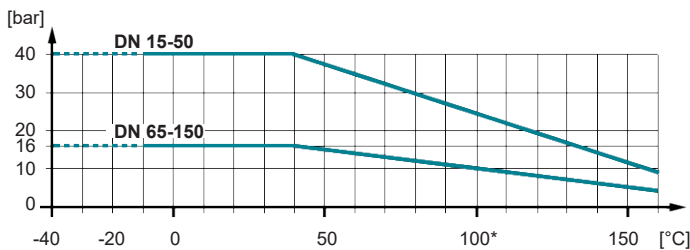


Construction

1	Body	Stainless steel 1.4408 or Cast steel GS-C25
2	End cap	Stainless steel 1.4408
3	Seat ring	PTFE
4	Ball	Stainless steel 1.4408
5	Gasket	PTFE
6	Gland packing (self adjusting)	PTFE
7	Gland	Stainless steel 1.4301
8	Disc washer	Spring steel, 1.4310
9	Gland nut + tab washer	Stainless steel 1.4301
10	Handlever	Stainless steel 1.4301
11	Handle nut	Stainless steel 1.4301
12	Blow out proof stem	Stainless steel 1.4401
13	O-ring	Viton®



Pressure / temperature diagram



For temperatures >100°C a mounting bracket with adapter is mounted between ball valve and actuator.



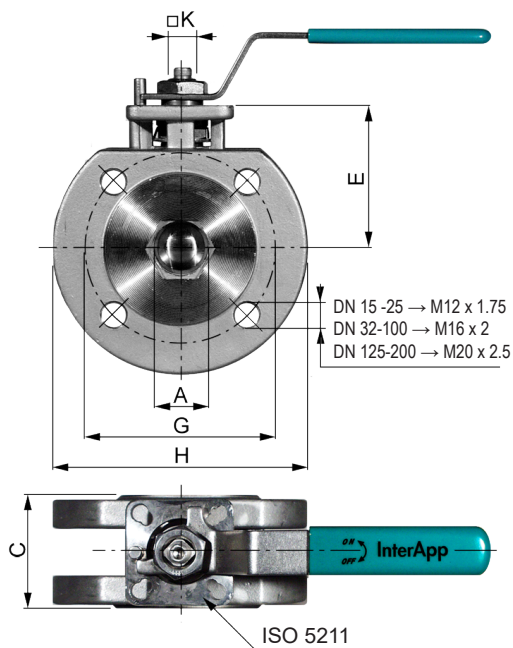
BVC21 - Compact ball valve DN 15-200

Type code

BVC	21	F	F	. 025	. S	S	T
1	2	3	4	5	6	7	8

1 Type	BVC	Ball valve with top flange	
2 Construction	21	2/2 ways, one-piece body	
3 Bore	F	Full bore	
4 Connection	F	Flanged ends	
5 Size	015-200	DN 15-200	
6 Materials body	S	stainless steel	1.4408
	C	cast steel	GS-C25
7 Material ball	S	stainless steel	1.4408
8 Materials seat ring	T	Seat ring	PTFE

Dimensions



	DN	A	C	G	H	E	K	ISO 5211	kv[m³/h]	[kg]
BVC21FF.015.SST	15	15	40	65	95	60	9	F03+04	35	1,6
BVC21FF.020.SST	20	20	44	75	105	64	9	F03+04	46	2,1
BVC21FF.025.SST	25	25	53	85	115	65	11	F04+05	72	2,7
BVC21FF.032.SST	32	32	58	100	135	70	11	F04+05	105	3,9
BVC21FF.040.SST	40	38	62	110	145	76	14	F05+07	170	4,7
BVC21FF.050.SST	50	50	78	125	155	86	14	F05+07	275	6,5
BVC21FF.065.SST	65	65	100	145	185	105	17	F07	507	9,5
BVC21FF.080.SST	80	76	120	160	200	123	17	F07	905	13,6
BVC21FF.100.SST	100	96	151	180	220	132	17	F07+10	1414	18,8
BVC21FF.125.SST	125	114	180	188	250	158	27	F10+12	2362	32,8
BVC21FF.150.SST	150	135	215	212	285	173	27	F10+12	3674	46,0
BVC21FF.200.SST	200	152	236	268	340	185	27	F12	6532	64,0