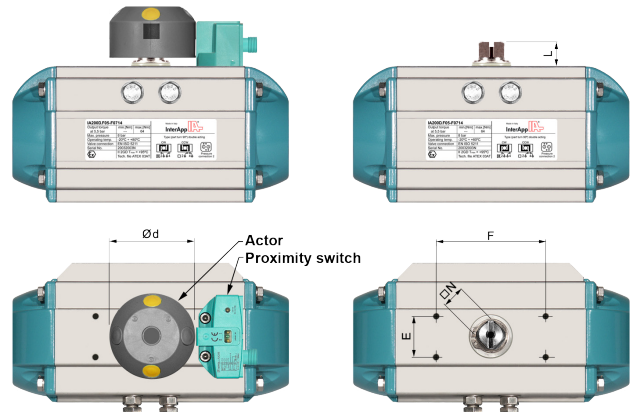


Dimensions

IA motion	F x E	□ x L	Actor	Proximity switch
IA 045	80 x 30	11 x 20	IA-K-MF-IN-045#NIP0	ES2.PFF25E80AZ-V1
IA 050	80 x 30	11 x 20		
IA 100	80 x 30	11 x 20		
IA 200	80 x 30	17 x 20		
IA 250	80 x 30	17 x 20	IA-K-MF-IN-200#NPP0	ES2.PFF31E80AZ-V1
IA 300	80 x 30	17 x 20		
IA 350	80 x 30	27 x 30		
IA 400	80 x 30	27 x 30		
IA 450	80 x 30	27 x 30	IA-K-MF-IN-350#NPP0	ES2.PFF31E80AZ-V1
IA 500	80 x 30	27 x 30		
IA 550	130 x 30	36 x 50	IA-K-MF-IN-550#NPP0	
IA 600	130 x 30	36 x 50		
IA 650	130 x 30	36 x 50		
IA 700	130 x 30	36 x 50		
IA 800	130 x 30	36 x 50		



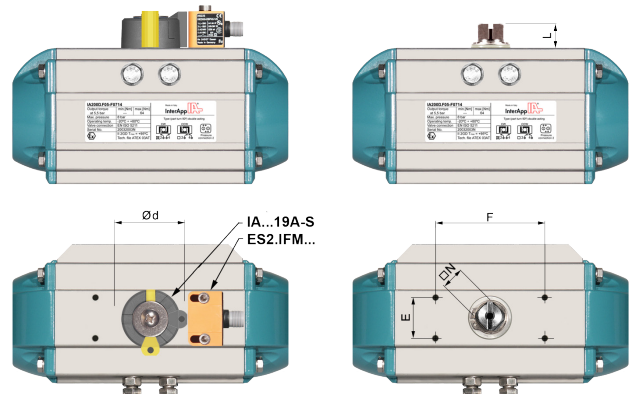
Proximity switch - executions and technical data

3-wire, PNP, Dual Make function		ES2.PFF25E80AZ-V1 (P&F: NBN4-F25-E8-V1)	ES2.PFF25E80AZ-K (P&F: NBN4-F25-E8-K)
Connection	system valve	Connector M12 x 1	MINI-COMBICON
LED display	operating voltage switching state valve status	LED green LED yellow	LED green LED yellow
Operating distance	: 4 mm		
Operating voltage U _B	: 10...30 V		
Operating current I _L	: 0...200 mA		
Voltage drop U _d	: ≤ 2,5 V		
No-load supply I ₀	: ≤ 22,5 mA		
Ambient temperature	: -25...70°C		
Protection degree	: IP67		
EMV according to	: EN 60947-5-2		
Reverse polarity protection	: all connections		
Short circuit protection	: pulsing		

3-wire, PNP, Dual Make function		ES2.PFF31E80AZ-V1 (P&F: NBN3-F31-E8-V1)	ES2.PFF31E80AZ-K (P&F: NBN3-F31-E8-K)
Connection	system valve	Connector Rd24 x 1/8 M12 x 1 socket	PVC-cable 5m
LED display	operating voltage switching state valve status	LED green LED yellow	LED green LED yellow
Operating distance	: 3 mm		
Operating voltage U _B	: 10...30 V		
Operating current I _L	: 0...100 mA		
Voltage drop U _d	: ≤ 3 V		
No-load supply I ₀	: ≤ 25 mA		
Ambient temperature	: -25...70°C		
Protection degree	: IP67		
EMV according to	: EN 60947-5-2		
Reverse polarity protection	: all connections		
Short circuit protection	: pulsing		

Dimensions

IA motion	F x E	□N x L	Actor	Proximity switch
IA 045	80 x 30	11 x 20	IA-IFM050-MF-01	ES2.IFM...
IA 050	80 x 30	11 x 20		
IA 100	80 x 30	11 x 20		
IA 200	80 x 30	17 x 20		
IA 250	80 x 30	17 x 20	IA-IFM200-MF-02	ES2.IFM...
IA 300	80 x 30	17 x 20		
IA 350	80 x 30	27 x 30	IA-K-MF-IN-350#NPP2	ES2.IFM...
IA 400	80 x 30	27 x 30		
IA 450	80 x 30	27 x 30		
IA 500	80 x 30	27 x 30		
IA 550	130 x 30	36 x 50	IA-K-MF-IN-550#NPP2	ES2.IFM...
IA 600	130 x 30	36 x 50		
IA 650	130 x 30	36 x 50		
IA 700	130 x 30	36 x 50		
IA 800	130 x 30	36 x 50		



Proximity switch - executions and technical data

3-wire, PNP, Dual Make function		ES2.IFM IN5225 0AZ-V1 (IFM: IN5225)	ES2.IFM IN5251 0AZ-K (IFM: IN5251)	ES2.IFM IN5334 0AZ-Rd24-V1 (IFM: IN5334)
Connection	system valve	Connector M12x1	PVC-cable 2m	Rd 24x1/8 M12x1
LED display	switching state	2x LED yellow	2x LED yellow	2x LED yellow
Operating distance	: 4 mm			
Operating voltage U_B	: 10...36 V			
Operating current I_L	: 0...250 mA			
Voltage drop U_d	: $\leq 2,5$ V			
No-load supply I_0	: ≤ 15 mA			
Ambient temperature	: -25...80°C			
Protection degree	: IP67			
EMV according to	: EN 60947-5-2			
Reverse polarity protection	: yes			
Short circuit protection	: pulsing			
2-wire, Namur, Dual Brake function		ES2.IFM NN5008 0AZ-V1 (IFM: NN5008)	ES2.IFM IN5009 0AZ-K (IFM: NN5009)	ES2.IFM N95001 0AZ-Rd24-V1 (IFM: N95001)
Connection	system valve	Connector M12x1	Silicone-cable 2m	Rd 24x1/8 M12x1
LED display	switching state	2x LED yellow	2x LED yellow	2x LED yellow
Operating distance	: 4 mm			
Supply voltage U_B	: 7,5 - 15 V			
Nominal voltage U_0	: 8,2 V (1k Ω)			
Current consumption	: ≤ 1 mA			
Ambient temperature	: -20...80°C			
Protection degree	: IP67			
ATEX	: II 2G EEx ia IIC T6			
EMV according to	: EN 60947-5-2			
Standards (NAMUR)	: DIN EN 60947-5-6			