

EX SERIES 10 KNIFE GATE VALVE



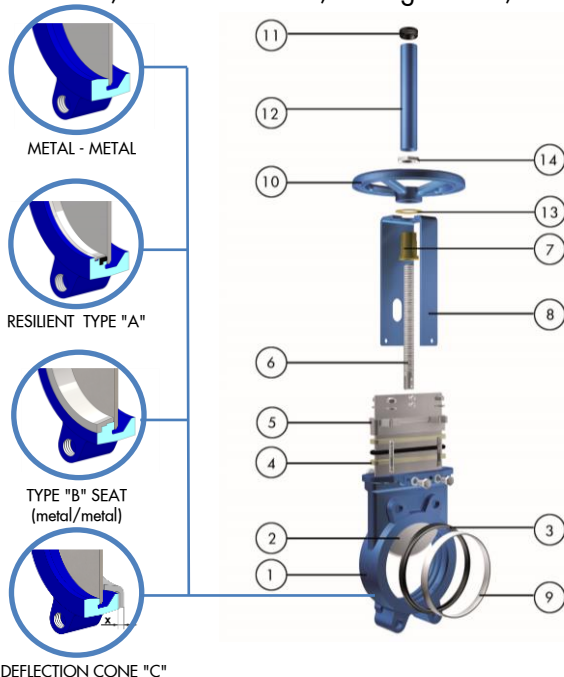
The SERIES 10 (EX) model knife gate valve is a wafer type valve designed for general industrial service applications. The design of the body and seat assures non-clogging shut off on suspended solids in a wide range of industries such as Pulp & Paper, Wastewater Treatment Plants, Food & Beverage, Mining, Power Plants, Chemical Plants, Bulk Handling, etc.

Product description:

- Uni-directional wafer type knife gate valve
- Size range of DN 2"-48" (larger sizes upon request).
See Dimension Charts for pressure rating
- Rising & non-rising stem configurations available
- Standard flange connection: DIN PN10 (EN 1092-2) and ANSI B16.5 (class 150)
Others available upon request
- Manual (handwheel, chainwheel, lever and bevel gear), pneumatic (single and double-acting), electric and hydraulic actuation options available
- For EU Directives and other Certificates, please see the document:
Directives and Certificates Compliance - Knife Gate Valves - Catalogues and Datasheets

Features:

- Wafer cast monoblock body with internal cast-in gate wedges and guides for tighter shut-off
- Full port design for greater flow capacity and minimal pressure drop
- Stainless steel gate polished both sides to avoid jamming and seat damage
- Standard EPDM resilient seat. Metal-to-metal seat, other seat materials, as well as high performance rings and deflection cones available
- Long life PTFE impregnated synthetic fibre plus EPDM o-ring packing with easy access and adjustable gland follower. Wide range of packing materials available
- RAL-5015 blue epoxy-coating on all cast iron/carbon steel components
- Automated valves provided with gate guards in accordance with EU Safety Standards. Only in EU
- Other options: bonnets, V-ports, flush ports, special materials, fabricated valves, etc.
- Actuation accessories: limit & proximity switches, mechanical stops, positioners, solenoid valves, manual overrides, locking devices, fail safe systems, stem extensions and floor stands



STANDARD PARTS LIST

Part	Cast Iron/ Stainless Steel
1 Body	GJL250(GG25) / CF8M
2 Gate	AISI 304 / AISI 316
3 Seat	Metal-to-Metal, EPDM
4 Packing	PTFE impreg. synth. fibre with EPDM o-ring
5 Gland Follower	Al (DN2"- 12") - Ductile Iron (DN14"- 48") / CF8M
6 Stem	Stainless Steel
7 Stem Nut	Brass
8 Yoke	Epoxy-coated carbon steel
9 "A" ring	AISI 304 / AISI 316
10 Handwheel	GJS400 (GGG40)
11 Cap	Plastic
12 Stem Protector	Epoxy-coated carbon steel
13 Friction Washer	Brass
14 Nut	Zinc-plated carbon steel

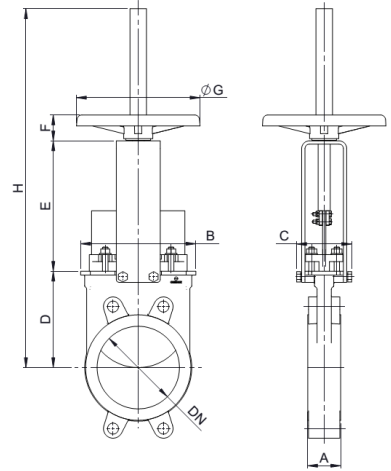
* Refer to full catalogue for complete details

EX SERIES 10 KNIFE GATE VALVE



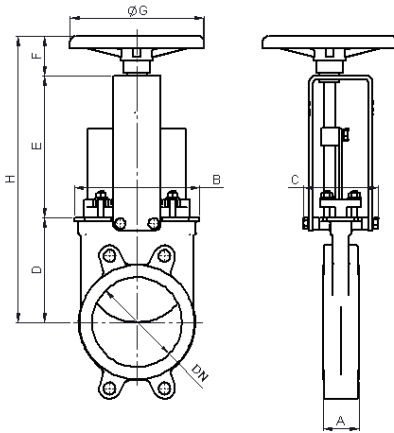
DIMENSIONS Handwheel Rising Stem

DN (")	Working pressure	A	B	C	D	E	F	ØG	H	Weight (lbs.)
2"	150 psi	1,57	4,68	4	4,13	5,07	1,85	8,86	16,53	15
2,5"	150 psi	1,57	5,27	4	4,53	5,79	1,85	8,86	17,71	18
3"	150 psi	2	5,87	4	4,88	6,37	1,85	8,86	18,70	20
4"	150 psi	2	6,65	4	5,5	7,36	1,85	8,86	20,47	24
5"	150 psi	2	7,08	4	6	8,30	1,85	8,86	23,62	33
6"	150 psi	2,36	8,26	4	6,89	9,33	1,85	8,86	25,67	40
8"	150 psi	2,36	10,31	4,68	8,07	12,16	2,64	12,2	32,36	66
10"	150 psi	2,75	12,52	4,80	10	14,33	2,64	12,20	40,23	97
12"	90 psi	2,75	14,64	4,80	12	16,30	2,64	12,20	44,17	128
14"	90 psi	3,78	16,97	7,75	13,30	19,13	2,60	16,14	52,08	217
16"	90 psi	3,93	19,13	7,75	15,43	21,10	2,60	16,14	56,18	274
18"	75 psi	4,17	21,26	7,91	17,00	23,15	2,60	21,65	62,75	370
20"	60 psi	4,33	23,70	7,91	19,09	25,51	2,60	21,65	67,20	424
24"	60 psi	4,33	27,87	7,91	23,23	29,44	2,60	21,65	79,60	540
28"	30 psi	4,33	32,83	14,96	27	35,04	2,92	31,50	109,37	893
30"	30 psi	4,33	34,80	14,96	29,90	37,20	2,92	31,50	114,17	1003
32"	30 psi	4,33	39,96	12,60	31,14	38,94	2,92	31,50	117,32	1129
36"	30 psi	4,33	40,94	12,60	35,23	45,01	2,92	31,50	126,57	149
40"	30 psi	4,33	45,12	12,60	38,28	48,03	2,92	31,50	133,86	1907



DIMENSIONS Handwheel Non Rising Stem

DN (")	Working pressure	A	B	C	D	E	F	ØG	H	Weight (lbs.)
2"	150 psi	1,57	4,68	5	4,13	5,67	2,48	8,86	12,28	15
2,5"	150 psi	1,57	5,27	5	4,5	6,34	2,48	8,86	13,34	18
3"	150 psi	2	5,87	5	4,88	6,97	2,48	8,86	14,33	20
4"	150 psi	2	6,65	5	5,5	7,95	2,48	8,86	15,94	24
5"	150 psi	2	7,08	5	6	8,9	2,48	8,86	17,28	33
6"	150 psi	2,36	8,26	5	6,89	9,92	2,48	8,86	19,29	40
8"	150 psi	2,36	10,31	5,60	8,07	12,48	2,87	12,20	23,42	66
10"	150 psi	2,75	12,52	4,60	10	14,64	2,87	12,20	27,36	97
12"	90 psi	2,75	14,64	4,60	12	16,61	2,87	12,20	31,30	128
14"	90 psi	3,78	16,97	7,75	13,3	20,03	3,86	16,14	37,20	217
16"	90 psi	3,93	19,13	7,75	15,43	22,00	3,86	16,14	41,30	274
18"	75 psi	4,17	21,26	7,91	17,00	24,05	3,86	21,6	44,92	370
20"	60 psi	4,33	23,70	7,91	19,09	26,42	3,86	21,65	49,37	424
24"	60 psi	4,33	27,87	7,91	23,23	30,35	3,86	21,65	57,44	540
28"	30 psi	4,33	32,83	14,96	27	35,43	5,94	31,50	68,38	893
30"	30 psi	4,33	34,80	14,96	29,90	37,20	5,94	31,50	73,07	1003
32"	30 psi	4,33	39,96	12,60	31,14	39,25	5,94	31,50	76,34	1129
36"	30 psi	4,33	40,94	12,60	35,23	44,40	5,94	31,50	85,59	1499
40"	30 psi	4,33	45,27	12,60	38,28	49,40	5,94	31,50	93,74	1907



DIMENSIONS Pneumatic Actuator (D/A)

DN (")	Working pressure	A	B	C	D	E	F	G	H	Weight (lbs.)	Standard Cyl.	Connect.
2"	150 psi	1,57	4,68	4	4,13	5,07	7,00	4,53	16,22	20	C4"-2.44"	¼" G
2,5"	150 psi	1,57	5,27	4	4,53	5,79	7,60	4,53	17,87	22	C4"-3.03"	¼" G
3"	150 psi	2	5,87	4	4,88	6,37	8,31	4,53	19,56	24	C4"-3.74"	¼" G
4"	150 psi	2	6,65	4	5,52	7,36	9,09	4,53	21,96	30	C4"-4.52"	¼" G
5"	150 psi	2	7,08	4	6	8,30	10,67	5,51	24,88	44	C5"-5.52"	¼" G
6"	150 psi	2,36	8,26	4	6,89	9,33	11,65	5,51	27,87	55	C5"-6.61"	¼" G
8"	150 psi	2,36	10,31	4,68	8,07	12,16	14,09	6,89	34,33	97	C6.30"-8.66"	¼" G
10"	150 psi	2,75	12,52	4,80	10	14,33	16,85	8,66	41,02	148	C8"-10.62"	3/8" G
12"	90 psi	2,75	14,64	4,80	12	16,29	18,82	8,66	46,93	181	C8"-12.60"	3/8" G
14"	90 psi	3,78	16,97	7,75	13,30	19,68	21,61	10,90	54,60	298	C10"-14.76"	3/8" G
16"	90 psi	3,93	19,13	7,75	15,43	21,65	23,58	10,90	60,67	364	C10"-16.73"	3/8" G
18"	75 psi	4,17	21,26	10,63	17,00	23,94	26,77	15,03	67,32	485	C12"-18.70"	½" G
20"	60 psi	4,33	23,70	10,63	19,09	25,90	28,74	15,03	73,74	617	C12"-20.67"	½" G
24"	60 psi	4,33	27,87	10,63	23,23	29,84	32,68	15,03	85,71	727	C12"-24.60"	½" G
28"	30 psi	4,33	32,83/	14,96	27	34,45	38,77	17,48	100,24	1146	C14"-28.74"	¾" G
30"	30 psi	4,33	34,80	14,96	29,90	36,61	40,75	17,48	107,28	1290	C14"-30.70"	¾" G
32"	30 psi	4,33	39,96	12,60	31,14	38,34	42,77	17,48	112,20	1433	C14"-32.68"	¾" G
36"	30 psi	4,33	40,94	12,60	35,23	43,50	47,32	20,27	126,06	1874	C16"-36.61"	¾" G
40"	30 psi	4,33	45,12	12,60	38,28	47,91	47,91	20,27	137,32	2334	C16"-40.55"	¾" G

