

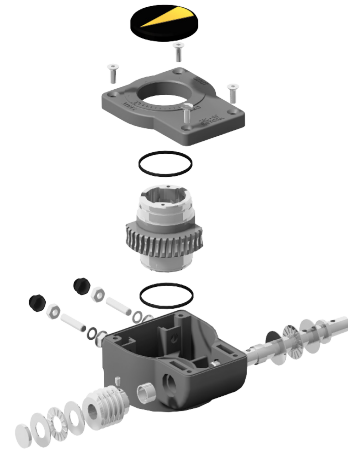
GB232 - Gearbox, body aluminium

Description

Quarter turn gearbox handoperated with cast aluminium housing Polyurethane coated

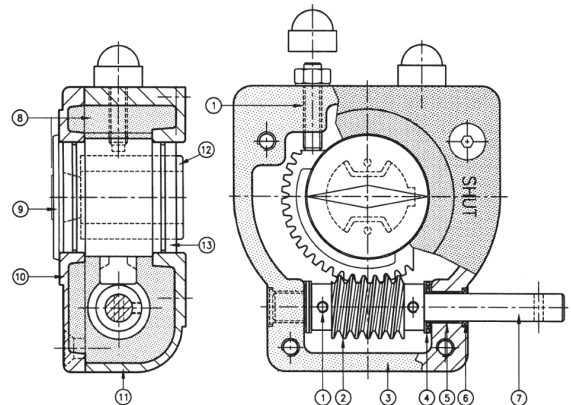
Product features

- Valve connection Mounting face for valves according to EN ISO 5211
- Torque 125 - 1500 Nm
- Temperature range -20°C ÷ +120°C
- Stroke 0-90° (±5° adjustable)
- Lubrication Factory lubricated for the life of actuator under normal working conditions
- Protection class IP65



Construction

1	Set screw	Steel 8.8
2	Worm	Steel C45
3	Gasket	NBR
4	Needle bearing	
5	Plain bearing	Permaglide
6	Seal ring	Nitrile
7	Shaft	Stainless steel
8	Grease	Multipurpose EP2
9	Position indicator	Polypropylene
10	Coverplate	Aluminium AL231
11	Body	Aluminium AL231
12	Insert	Sintered steel
13	Quadrant	GGG40



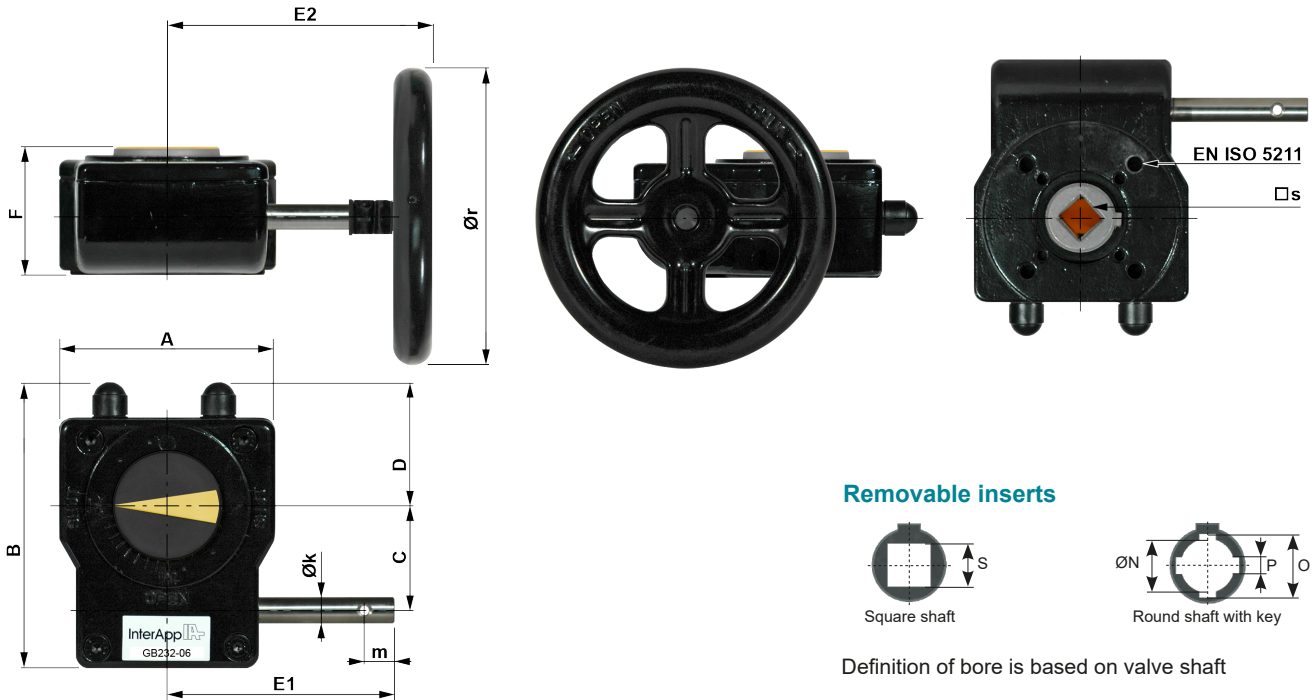
Type code

GB232-05	F05-F07	14	100
1	2	3	4

1 Actuator size	GB232-05	125 Nm
	GB232-06	250 Nm
	GB232-08	500 Nm
	GB232-13	1000 Nm
	GB232-14	1500 Nm
2 Mounting face for valve	F05 - F14	according to EN ISO5211
3 Shaft connection	[mm]	Dimension of shaft connection
4 Handwheel diameter	[mm]	



Dimensions



	EN ISO5211	□s / ØN	Ør	Md max	A	B	C	D	E1	E2	F	Øk	m	n*	[kg]
GB232-05	F05-F07	11 / 14	100	125 Nm	80	114	42,5	48	105	121	53	12	14	10	0,8
			160							129					
GB232-06	F05-F07	14 / 17	160	250 Nm	80	114	42,5	48	155	179	59	12	14	10	0,9
GB232-08	F07-F10	17 / 22	250	500 Nm	100	131	50	56	170	209	67	12	14	9,25	1,55
GB232-13	F10-F12 / F14	22 / 27	300	720 Nm	175	209	80	83	280	361	84	20	24	10	5,4
			400	960 Nm						376					
			500	1000 Nm						396					
GB232-14	F10-F12 / F14	22 / 27 / Ø45	500	1200 Nm	175	209	80	83	280	396	84	20	24	10	5,4
			600	1440 Nm						396					
			700	1500 Nm						396					

* n = Handwheel turns ON/OFF

Maintenance:

The actuators are factory lubricated for the life of the actuator under normal working conditions. The standard lubricant is suitable for use from - 20°C to + 120°C.

Storage:

The actuator should always be stored free from dust and humidity.