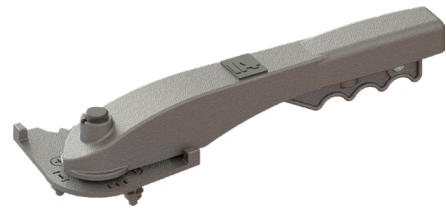


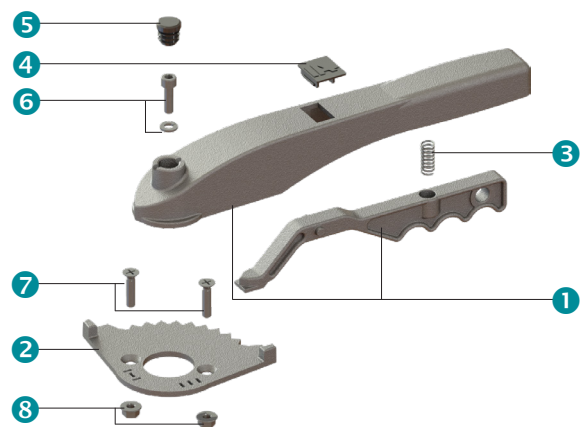
Description

Stainless steel handlever



Construction

| | | |
|---|------------------|--|
| 1 | Handlever | Stainless steel 1.4408 (≈ CF8M) |
| 2 | Notch plate | Stainless steel 1.4408 (≈ CF8M) |
| 3 | Spring | Stainless steel AISI-316 |
| 4 | Name plate | Acrylonitrile butadiene styrene (ABS) |
| 5 | Plug | Low Density Polyethylene |
| 6 | Screw and washer | Stainless steel A4-70 |
| 7 | Screws | Stainless steel A4-70 |
| 8 | Nuts | Stainless steel A4-70 |



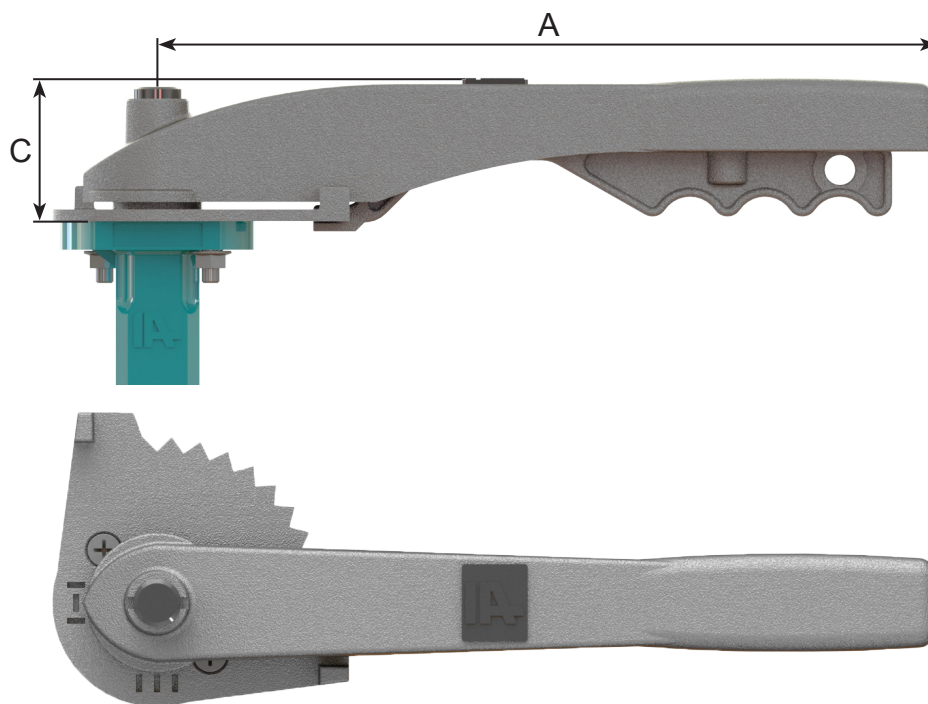
Type code

HLS . F07 11 . 260-V2

① ② ③ ④

| | | |
|---------------------------|------------------|-------------------------------|
| ① Actuator type | HLS | Stainless steel handlever |
| ② Mounting face for valve | F05 - F07 | According to EN ISO 5211 |
| ③ Shaft square | [mm] | Dimension of shaft connection |
| ④ Handlever length | [mm] | |

Dimensions



| Handlever type | A [mm] | C [mm] | [kg] |
|------------------|--------|--------|------|
| HLS.F0511.260-V2 | 260 | 49 | 1,46 |
| HLS.F0711.260-V2 | 260 | 49 | 1,46 |
| HLS.F0714.350-V2 | 350 | 49 | 1,70 |
| HLS.F0717.350-V2 | 350 | 49 | 1,70 |