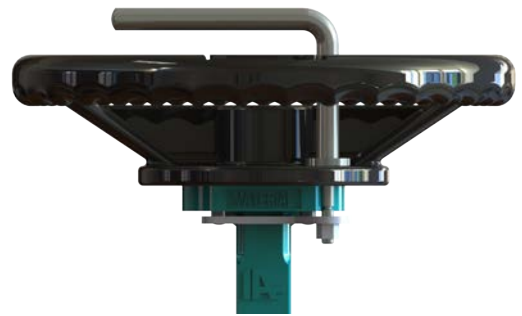


## Description

Adjustable handwheel to be mounted directly on the valve top flange. Made of coated aluminium.



## Construction

1	Locking lever	Steel F112 zinc plated
2	Bolt	Stainless steel A4-70
3	Washer	Stainless steel A4-70
4	Handwheel	Aluminium L2653-60 coated RAL-9005
5	Fixation	Steel F112 zinc plated



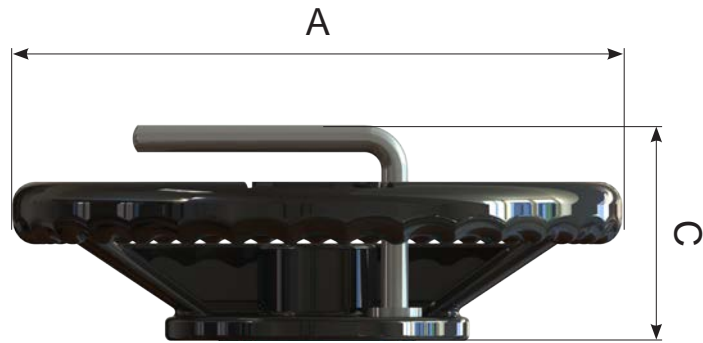
## Type code

HW . F05 08 . 200K

① ② ③ ④

① Actuator type	HW	Handwheel
② Mounting face for valve	F05 - F07	according to EN ISO5211
③ Shaft square	[mm]	Dimension of shaft connection
④ Handwheel diameter	[mm]	200

## Dimensions



Handwheel type	A [mm]	C [mm]	Weight [Kg]
HW.F0508.200K	200	71	0,33
HW.F0511.200K	200	71	0,33
HW.F0708.200K	200	72	0,34
HW.F0711.200K	200	71	0,34
HW.F0714.250K	250	71	0,39