

CENTRIC BUTTERFLY VALVE, SERIES 76, PN10/16

Stainless steel disc, with loose EPDM liner for high temperatures, DN 50-300

Building Services (HVAC)

Irrigation

Centric butterfly valve with loose liner, available in Wafer and Lug. The maintenance-free butterfly valve features a ductile iron body, a stainless steel disc and an EPDM HT liner resistant to temperatures up to 130°C. The robust design and cost-efficient approach make Series 76 the ideal solution for HVAC applications, swimming pools, irrigation and data centers.

Product description:

Centric butterfly valve with elastomer liner for HVAC applications, swimming pools, irrigation and data centers to max 130°C.

Standards:

- Design Standards: EN1074 part 1&2, EN593
- Face-to-face dimension according to: EN 558-1/20, ISO 5752/20
- Flange drilling according to: EN ISO 5211

Tests/Approvals:

- EN 12266-1/P12 leakage rate A, test fluid water
- Pressure Equipments Directive 2014/68/EC (PED) appendix 1 for fluids of the groups 1 and 2

Features:

- Body in ductile iron GJS 500-7 with a long neck that makes room for insulation
- Loose liner in high temperature EPDM with reinforced seating area and integrated, profiled flange gaskets
- Shaft seal integrated in the liner
- Anti-blow-out shaft design with an anti blow-out plate at the top and a plug at the bottom
- Radial bearings in low friction bronze/polymer composite on a steel back
- Shaft in stainless steel 1.4021/AISI 420
- Bolts and washers in stainless steel A2 and disc material in cast stainless steel, 1.4408/CF8M
- Slim disc design with internal hexagon for drive shaft connection
- 200 µm epoxy powder coating, blue RAL 5021
- A dew point blocker is installed
- Operating pressure of 16 bar (DN50-150) and 10 bar (DN200-300) respectively

Accessories:

Handlever and gearbox



Wafer



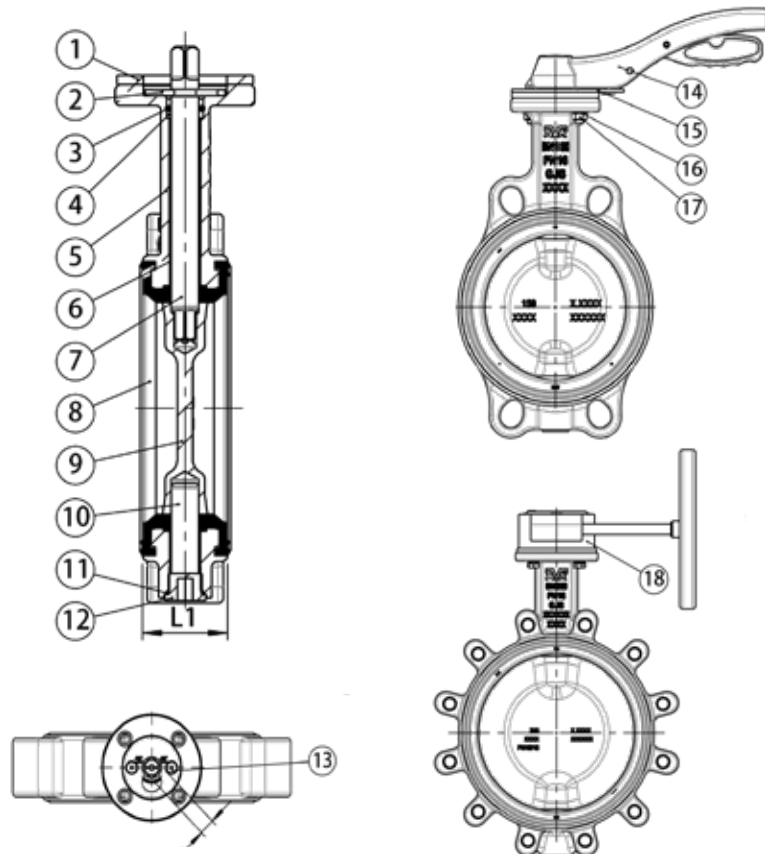
Lug



The designs, materials and specifications shown are subject to change without notice. This is due to the continuous development of our product programme.

CENTRIC BUTTERFLY VALVE, SERIES 76, PN10/16

Stainless steel disc, with loose EPDM liner for high temperatures, DN 50-300



Components:

1. Dew point blocker	PE	10. Shaft, stub	Stainless steel 1.4021
2. Plate	POM	11. O-ring	NBR rubber
3. O-ring	EPDM rubber	12. Plug	POM
4. Ring	POM	13. Bolt	Stainless steel A2
5. Body	Ductile iron EN-GJS-500-7	14. Handlever	Aluminium
6. Bearing	Steel, PTFE coated	15. Notch plate	Steel S235JR
7. Shaft, drive	Stainless steel 1.4021	16. Washer	Stainless steel A2
8. Liner	EPDM rubber	17. Nut	Stainless steel A2
9. Disc	Stainless steel 1.4308, cast	18. Gearbox	Cast iron

CENTRIC BUTTERFLY VALVE, SERIES 76, PN10/16

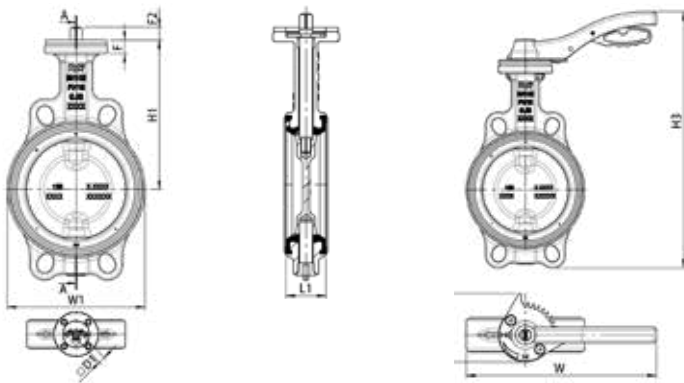
Stainless steel disc, with loose EPDM liner for high temperatures, DN 50-300

Dimensions

Wafer

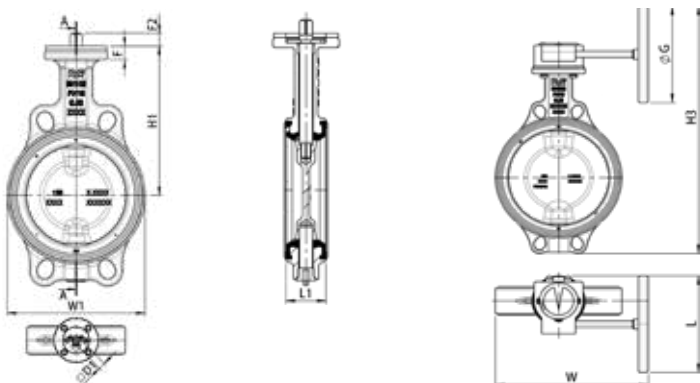
Handlever:

Reference no.	DN mm	PN Class	L mm	L1 mm	H1 mm	H3 mm	W mm	W1 mm	F mm	F2 mm	D1 mm	Actuator flange	Actuator	Theoretical weight/kg
76-0050-70-878902690723	50	PN10/16	89	43	131	265	237	126	18	12	9	F05	Handlever	2,2
76-0065-70-878902690723	65	PN10/16	89	46	156	310	243	139	18	12	9	F05	Handlever	2,9
76-0080-70-878902690723	80	PN10/16	89	46	163	325	247	146	18	12	9	F05	Handlever	3,5
76-0100-70-878902690723	100	PN10/16	116	52	188	382	307	166	20	17	11	F07	Handlever	5,3
76-0125-70-878902690723	125	PN10/16	117	56	207	415	312	177	20	19	14	F07	Handlever	6,8
76-0150-70-878902690723	150	PN10/16	117	56	220	439	325	202	20	19	14	F07	Handlever	8,0
76-0200-70-878902690723	200	PN10/16	126	60	251	523	485	256	20	23	17	F07	Handlever	13



Gearbox:

Reference no.	DN mm	PN Class	L mm	L1 mm	H1 mm	H3 mm	W mm	W1 mm	G mm	F mm	F2 mm	D1 mm	Actuator flange	Actuator	Theoretical weight/kg
76-0050-70-878902690729	50	PN10/16	162	43	131	291	228	126	140	18	12	9	F05	Gearbox	3,2
76-0065-70-878902690729	65	PN10/16	162	46	156	336	234	139	140	18	12	9	F05	Gearbox	3,9
76-0080-70-878902690729	80	PN10/16	162	46	163	351	238	146	140	18	12	9	F05	Gearbox	4,6
76-0100-70-878902690729	100	PN10/16	162	52	188	391	248	166	140	20	17	11	F07	Gearbox	6,1
76-0125-70-878902690729	125	PN10/16	162	56	207	424	254	177	140	20	19	14	F07	Gearbox	7,7
76-0150-70-878902690729	150	PN10/16	162	56	220	448	266	202	140	20	19	14	F07	Gearbox	8,8
76-0200-70-878902690729	200	PN10/16	208	60	251	543	288	256	200	20	23	17	F07	Gearbox	14
76-0250-70-878902690729	250	PN10/16	250	68	289	641	375	310	250	20	28	22	F10	Gearbox	23
76-0300-70-878902690729	300	PN10/16	250	78	314	708	403	365	250	20	28	22	F10	Gearbox	32



The designs, materials and specifications shown are subject to change without notice. This is due to the continuous development of our product programme.

CENTRIC BUTTERFLY VALVE, SERIES 76, PN10/16

Stainless steel disc, with loose EPDM liner for high temperatures, DN 50-300

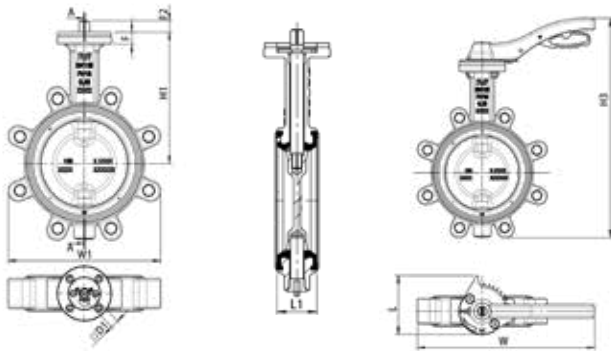
Dimensions

Lug

Handlever:

Reference no.	DN mm	PN Class	L mm	L1 mm	H1 mm	H3 mm	W mm	W1 mm	F mm	F2 mm	D1 mm	Actuator flange	Actuator	Theoretical weight/kg
76-0050-71-878902690723	50	PN10/16	89	43	131	265	231	114	18	12	9	F05	Handlever	2,6
76-0065-71-878902690723	65	PN10/16	89	46	156	303	238	129	18	12	9	F05	Handlever	3,3
76-0080-71-878902690723	80	PN10/16	89	46	163	319	261	174	18	12	9	F05	Handlever	4,3
76-0100-71-878902690723	100	PN10/16	116	52	188	375	325	202	20	17	11	F07	Handlever	6,5
76-0125-71-878902690723	125	PN10/16	117	56	207	409	340	232	20	19	14	F07	Handlever	9,1
76-0150-71-878902690723	150	PN10/16	117	56	220	434	352	257	20	19	14	F07	Handlever	10
76-0200-71-878901390723	200	PN10	126	60	251	514	512	310	20	23	17	F07	Handlever	15
76-0200-71-878902690723	200	PN16	126	60	251	517	517	319	20	23	17	F07	Handlever	17

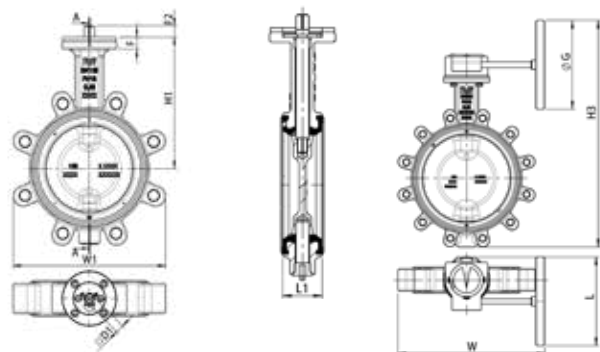
DN65 Flange connection PN10/16 4-Hole



Gearbox:

Reference no.	DN mm	PN Class	L mm	L1 mm	H1 mm	H3 mm	W mm	W1 mm	G mm	F mm	F2 mm	D1 mm	Actuator flange	Actuator	Theoretical weight/kg
76-0050-71-878902690729	50	PN10/16	162	43	131	291	222	114	140	18	12	9	F05	Gearbox	3,7
76-0065-71-878902690729	65	PN10/16	162	46	156	329	228	129	140	18	12	9	F05	Gearbox	4,3
76-0080-71-878902690729	80	PN10/16	162	46	163	345	252	174	140	18	12	9	F05	Gearbox	5,4
76-0100-71-878902690729	100	PN10/16	162	52	188	384	266	202	140	20	17	11	F07	Gearbox	7,3
76-0125-71-878902690729	125	PN10/16	162	56	207	418	281	232	140	20	19	14	F07	Gearbox	9,9
76-0150-71-878902690729	150	PN10/16	162	56	220	444	294	257	140	20	19	14	F07	Gearbox	11
76-0200-71-878901390729	200	PN10	208	60	251	535	314	310	200	20	23	17	F07	Gearbox	16
76-0200-71-878902690729	200	PN16	208	60	251	537	319	319	200	20	23	17	F07	Gearbox	18
76-0250-71-878901390729	250	PN10	250	68	289	638	413	386	250	20	28	22	F10	Gearbox	29
76-0250-71-878902690729	250	PN16	250	68	289	638	413	386	250	20	28	22	F10	Gearbox	29
76-0300-71-878901390729	300	PN10	250	78	314	697	455	455	250	20	28	22	F10	Gearbox	41
76-0300-71-878902690729	300	PN16	250	78	314	697	455	455	250	20	28	22	F10	Gearbox	41

DN65 Flange connection PN10/16 4-Hole



The designs, materials and specifications shown are subject to change without notice. This is due to the continuous development of our product programme.

CENTRIC BUTTERFLY VALVE, SERIES 76, PN10/16

Stainless steel disc, with loose EPDM liner for high temperatures, DN 50-300

KV values m³/h
opening angle of the valve

DN	50	65	80	100	125	150	200	250	300
90°	100	210	360	650	1050	1620	2800	4480	6800

$$c_v = k_v \cdot 1,16$$

Further documentation:

Installation guide, Maintenance guide, Flanges: Please consult these guides for the installation and maintenance of our butterfly valves.