

Description

Centric butterfly valve with elastomer liner for HVAC applications, swimming pools and irrigation

Product features

- Body construction AP1 Wafer DN 25-300, AP3 Lug DN 25-300
- Face to face dimension according to ISO 5752/20, EN 558-1/20
- Top flange according to EN ISO 5211
- Max. working pressure 16 bar (DN25-150), 10 bar (DN200-300)
- Rating PN6, PN10, PN16, ANSI cl. 150
- Temperature range -20°C ÷ 130°C
- Tightness test according to EN 12266-1/P12 leakage rate A, test fluid water



The butterfly valves AQUARIA plus meet the safety requirements of the pressure Equipments Directive 2014/68/EC (PED) appendix 1 for fluids of the groups 1 and 2.



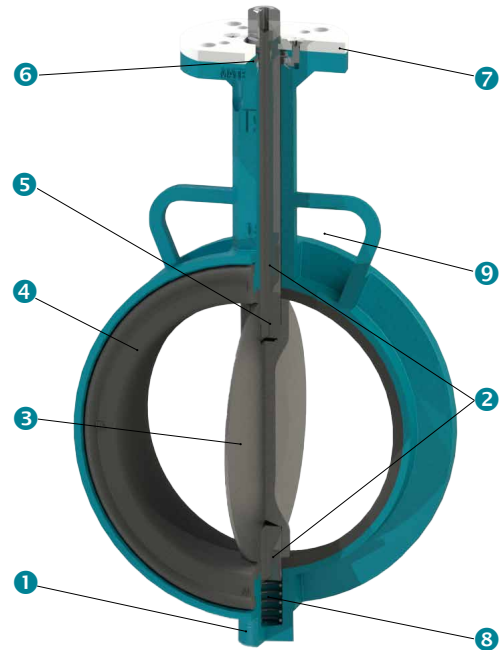
**AP1
Wafer**



**AP3
Lug**

Construction

1	Body (extended valve neck allowing insulation)
2	Blow out proof 2 piece shaft*
3	Disc
4	Liner
5	Square driven disc
6	External shaft sealing
7	Dew point blocker and blow out protection
8	High performance spring**
9	Centering ears



Type code

AP1	100	. 3	3	. 2KR	. 41	. 4C0	. EC
①	②	③	④	⑤	⑥	⑦	⑧

①	Type	AP1	Wafer	DN25-300
		AP3	Lug	DN25-300
②	Nominal diameter	25-300	mm	
③	Working pressure	2	10 bar	DN200-300
		3	16 bar	DN25-150
④	Rating	for AP1 Wafer		
		3	PN6/10/16, ANSI cl. 150	
		for AP3 Lug		
		2	PN10	AP3 Lug DN200-300
		3	PN10/16	AP3 Lug DN25-150
PN16	AP3 Lug DN200-300			
A	ANSI cl. 150	AP3 Lug DN25-300		
⑤	Body	2KR	Ductile iron EN-GJS-400-15 Epoxy (Resicoat®) coated 200μ	
⑥	Shaft	41	Stainless steel 1.4021 (AISI420)	
⑦	Disc	2AR	Ductile iron EN-GJS-400-15 Epoxy coated	
		4C0	Stainless steel 1.4408 ≈ CF8M	
⑧	Liner	EC	EPDM HT (-20°C ... 130°C)	

Kv values m³/h

	opening angle of the valve										
DN	25/32	40	50	65	80	100	125	150	200	250	300
90°	40	50	100	210	360	650	1050	1620	2800	4480	6800

$$c_v = k_v \cdot 1,16$$

Dimensions

Wafer

DN 25-32



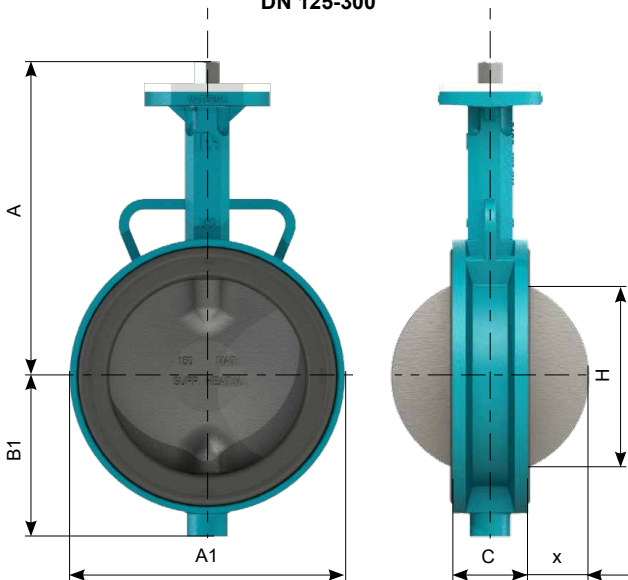
DN 40-50



DN 65-100



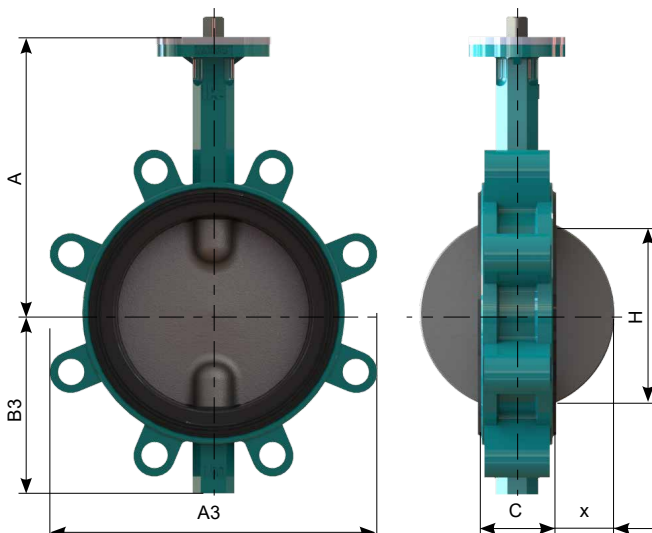
DN 125-300



DN	A	B1	C	A1	H*	x*	[kg]
(25)32	116	41	30	105	12	1	1,0
40	134	41	33	112	23	3,5	1,3
50	141	52	43	120	26	3,5	1,8
65	156	69	46	132	40	8,5	2,3
80	166	81	46	143	63	16	2,3
100	186	85	52	162	85	23,5	3,9
125	201	101	56	175	111	34	5,0
150	216	118	56	203	135	45	5,9
200	240	174	60	260	194	72	9,3
250	279	201	68	310	240	91	17,0
300	315	234	78	362	290	112	23,7

Lug

DN 25-300



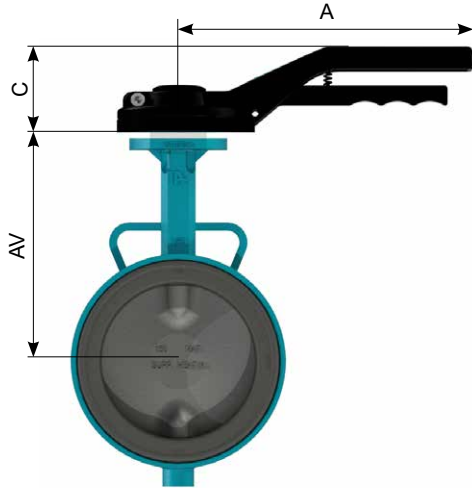
DN	A	B3	C	A3	H*	x*	[kg]
25	116	41	30	96	12	1	1,5
32	116	41	30	96	12	1	1,5
40	134	44	33	103	23	3,5	1,9
50	141	52	43	114	26	3,5	2,4
65	156	59	46	128* ¹ /159* ²	40	8,5	4,8
80	166	81	46	138* ³ /172* ⁴	63	16	4
100	186	85	52	202	85	23,5	6,2
125	201	101	56	228	111	34	7,7
150	216	118	56	252	135	45	8,4
200	240	161	60	332	194	72	16,6
250	279	199	68	402	240	91	23,5
300	315	234	78	472	290	112	32,4

*1 for body 4 holes
 *2 for body 12 holes
 *3 for ANSI
 *4 for PN16

Dimensions

Handlever

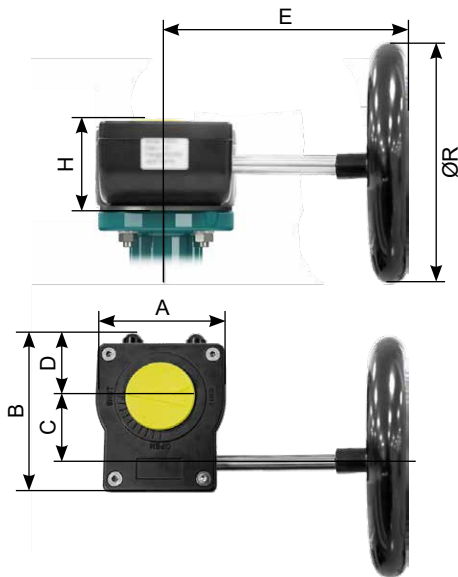
HLA



Aluminium, Epoxy coated

DN	Handlever type	AV	A	C	[kg]
25/32	HLA.F0508.210-C1	114	210	56	0,4
40		134	210	56	0,4
50	HLA.F0511.210-C1	139	210	56	0,4
65		154	210	56	0,4
80	HLA.F0711.340-C1	164	210	56	0,4
100		184	340	66	0,7
125	HLA.F0714.340-C1	199	340	66	0,7
150		214	340	66	0,7
200	HLA.F0717.340-C1	244	340	66	0,7

Gearbox



Aluminium, Polyurethane coated

DN		A	B	C	D	E	H	ØR	n*	[kg]
25 -40	GBAB-01.F05-F0708.140	80	115	42,5	51	165	53	140	11	1,2
50 -100	GBAB-01.F05-F0711.140	80	115	42,5	51	165	53	140	11	1,2
125 -150	GBAB-01.F05-F0714.140	80	115	42,5	51	165	53	140	11	1,2
200	GBAB-02.F0717.200	100	120	50	58	170	59	200	11	2
250-300	GBAB-03.F07-F1022.250	120	130	60	65	205	59	250	10	2,5

* n = Handwheel turns ON/OFF

Further documentation

Electric actuators, Accessories according separate data sheets.

Installation guide, Maintenance guide, Flanges: Please consult these guides for the installation and maintenance of our butterfly valves.

